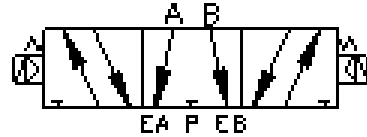



STC Solenoid and Pneumatic Directional Control Valve: 4V130E-430E Series Specifications



(UNIT=MM)

Part No.	Unit Price	Valve Picture	Port Size (NPT)	Voltage Options	Electrical Entry Options	Port No/ Position/Solenoid	Cv Flow Rate	Response Time	Power Consumption
4V130E-1/8	\$78.28		1/8 NPT	1=12VDC 2=24VDC 2A=24VAC 3=110VAC 4=220VAC (50/60Hz)	G=Grommet D= DIN (with LED indicator)	5/3/2 Double Solenoid Three Position, Exhausted Center Four Way Valve	Cv = 0.67 25 SCFM @100 PSI	< 20 ms	2.5 W
4V230E-1/4	\$80.59		1/4 (inlet/outlet) 1/8(Exhaust)				Cv = 0.89 53 SCFM @100 PSI	< 20 ms	3-4.8 W
4V330E-1/4	\$93.04		3/8 (in/outlet) 1/4 (Exhaust)				Cv = 1.68 80 SCFM @100 PSI	< 20 ms	
4V430E-1/2	\$119.54		1/2 NPT				Cv = 2.79 160 SCFM @100 PSI	< 20 ms	